

Lift Kit Pieces for Part 1

Parts List:

1	RCX 2.0 Module	1	Brick 1X2, Yellow
1	Electric Brick 2X2X(2/3) with wire	5	Technic Brick 1X10 with holes, Black
1	Electric Technic Mini-Motor 9V	2	Technic Brick 1X4 with holes, Green
1	Plate 1X8, Grey	3	Technic Brick 1X8 with holes, Black
2	Plate 1X10, Grey	3	Technic Plate 2X8 with holes, Grey
2	Plate 1X6, Grey	1	Technic Brick 1X12 with holes, Black
1	Plate 2X10, Grey	1	Technic Gear 24 Tooth, Grey
4	Plate 2X4, Yellow	1	Technic Gear 24 Tooth Crown, Grey
1	Plate 1X3, Yellow	1	Technic Axel 10, Black
3	Plate 1X4, Grey	2	Technic Bush, Grey
4	Plate 1X2, Grey	4	Technic Pin with Friction, Grey or Black
2	Brick 1X2, Black	1	Technic Axel Pin
3	Brick 2X4, Black		

Lift Kit Pieces for Part 2

Parts List:

1	Technic Axel 10, Black		
2	Technic Lift Arm 1X15 Straight, Black	3	Technic Bush, Grey
2	Technic Lift Arm 1X7 Straight, Black	1	Technic Gear 40 Tooth, Grey
2	Technic Brick 1X16 with holes, Black	1	Technic Gear 24 Tooth, Grey
3	Technic Brick 1X8 with holes, Black	1	Technic Connector Block 3X2X2, Blue
1	Technic Brick 1X10 with holes, Black	1	Technic Pin 3L Double, Yellow
1	Technic Brick 1X6 with holes, Black	3	Technic Pin Long with Friction, Black
1	Plate 1X6, Grey	5	Technic Pin with Friction, Grey or Black
1	Plate 1X10, Grey		

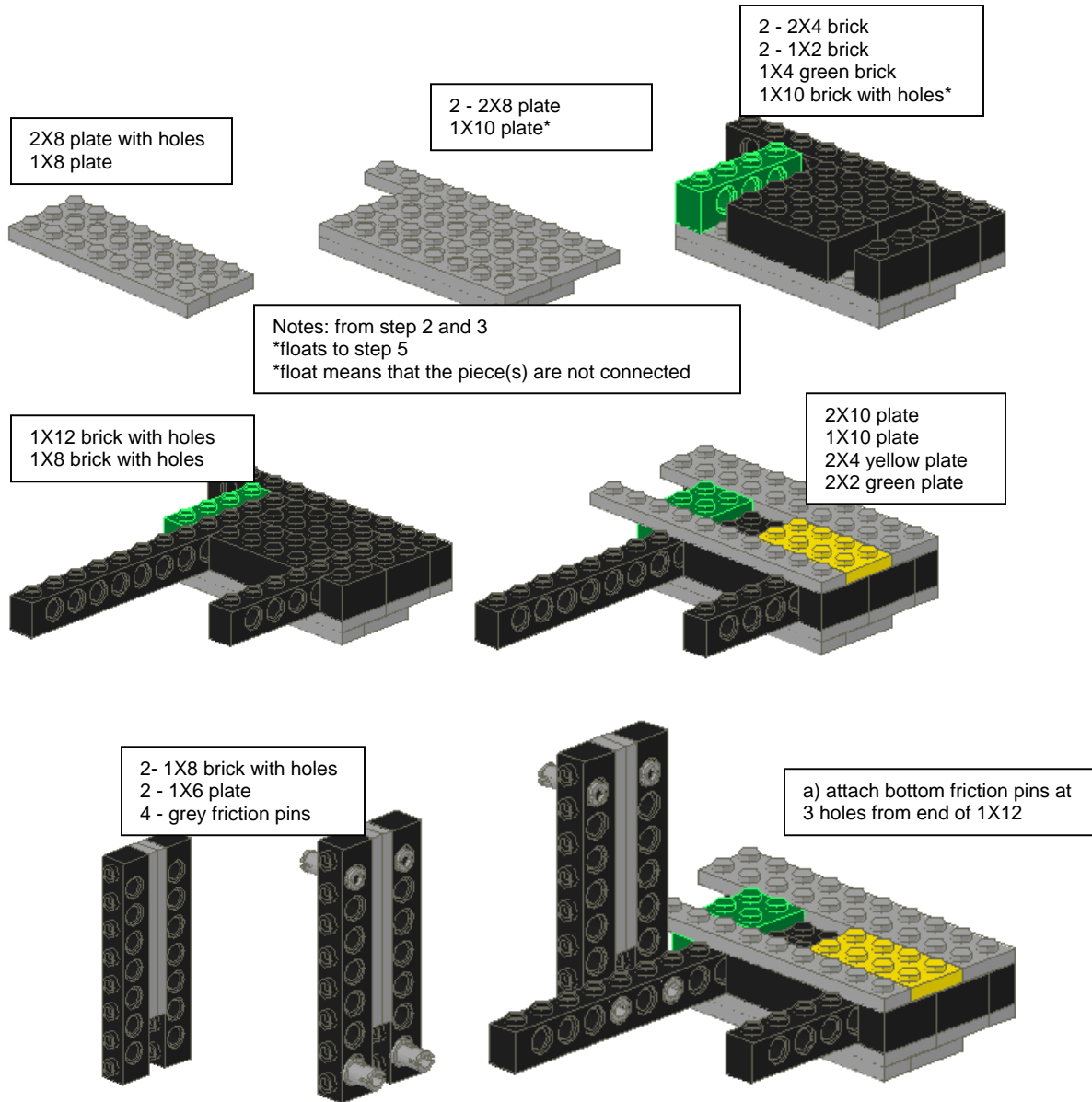
Lift Kit Pieces for Part 3

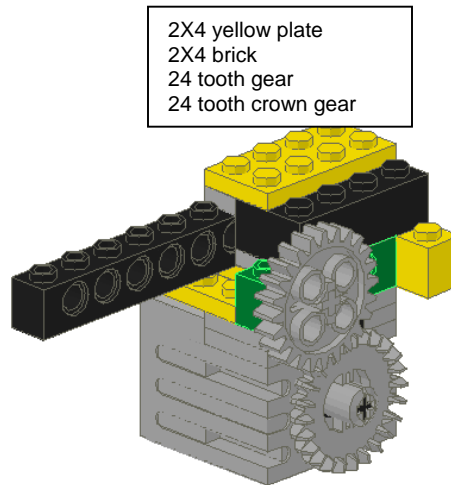
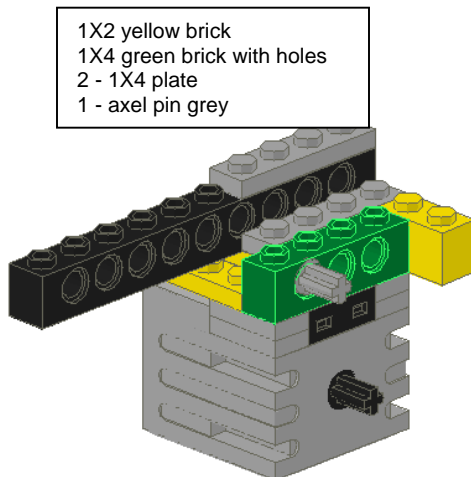
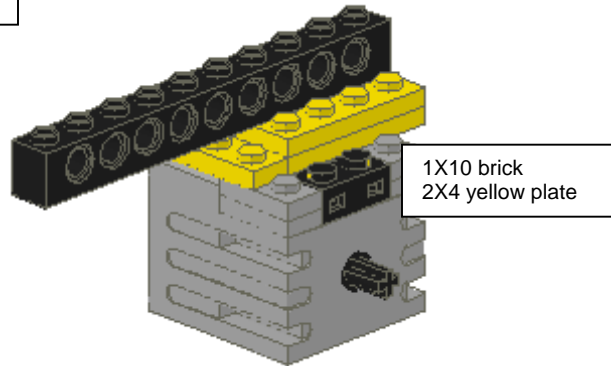
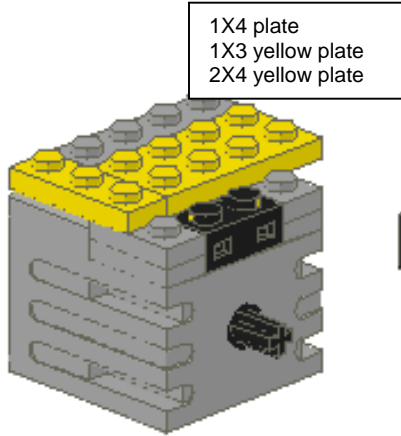
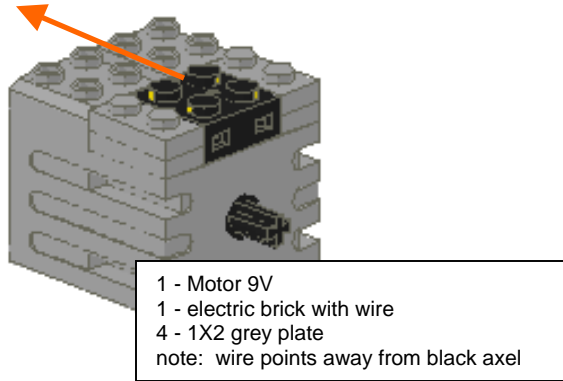
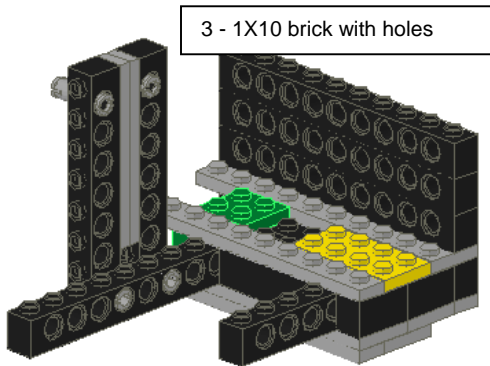
Parts List:

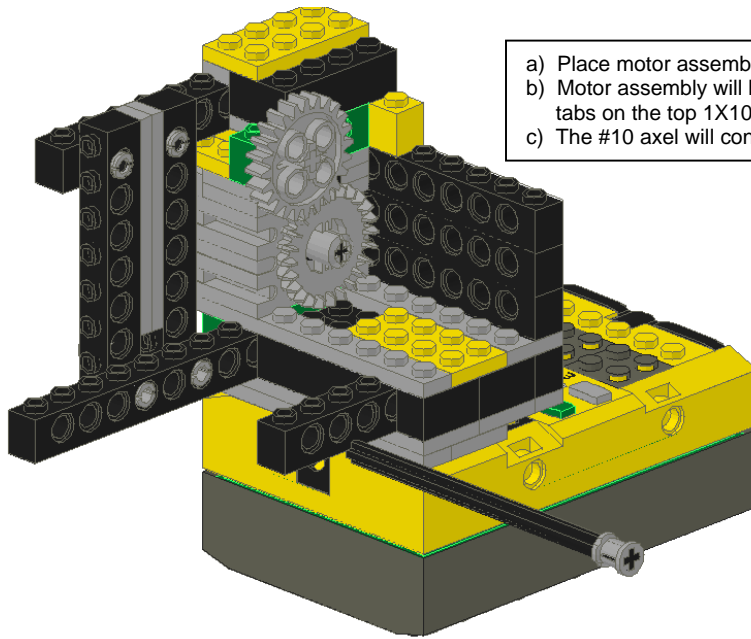
1	Plate 6X10, Grey	2	Technic Brick 1X4 with holes, Black
5	Plate 1X6, Grey	1	Technic Brick 1X2 with holes, Black
1	Plate 2X4, Yellow	1	Technic Brick 1X10 with holes, Black
1	Plate 1X4, Grey	1	Technic Lift Arm 1X9 Straight, Black
1	Brick 1X2, Black	1	Technic Plate 2X8 with holes, Grey
3	Technic Brick 1X12 with holes, Black	3	Technic Gear Rack 1X4, Grey
3	Technic Brick 1X6 with holes, Black	11	Technic Pin with Friction, Grey or Black

Lift Assembly Part 1

Refer to exploded view of this assembly on page 7 for more help.



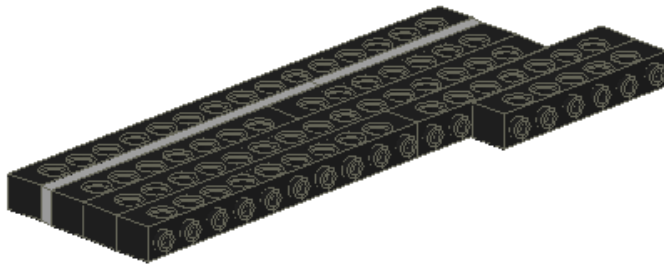




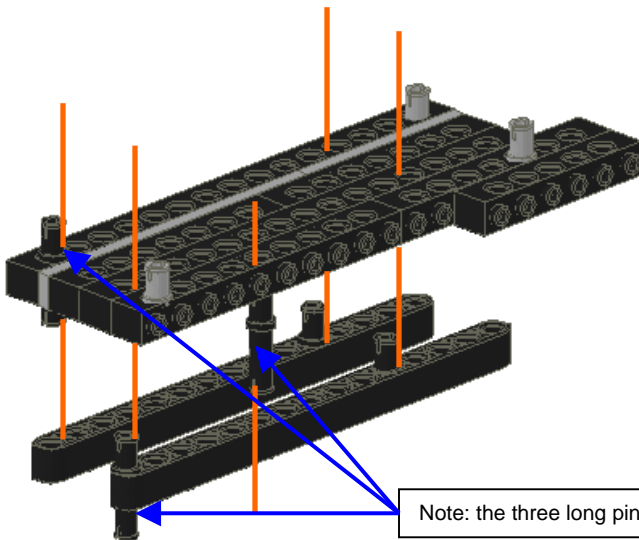
- a) Place motor assembly onto the mount assembly.
- b) Motor assembly will be connected to the four left most tabs on the top 1X10 plate.
- c) The #10 axel will connect the assembly from parts 2 and 3.

Lift Assembly Part 2

Refer to exploded view of this assembly on page 8 for more help.

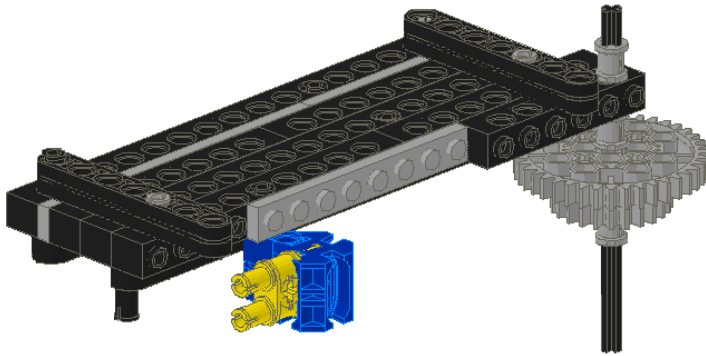


- 1X6 plate
- 1X10 plate
- 1X6 brick with holes
- 3 - 1X8 brick with holes
- 1X10 brick with holes
- 2 - 1X16 brick with holes



- 2 - 1X15 Lift Arm
- 3 - friction pin, grey
- 2 - friction pin, black
- 3 - friction pin long, black

Note: the three long pins

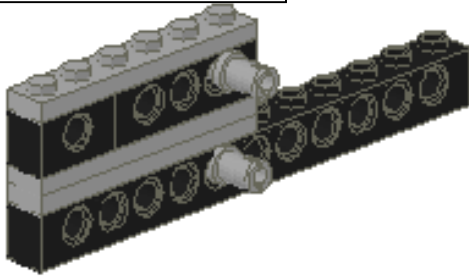


- 2 - 1X7 lift arm
- 3 - Bushing
- #10 axel
- 40 tooth gear
- 24 tooth gear
- 1X8 plate
- blue connector block

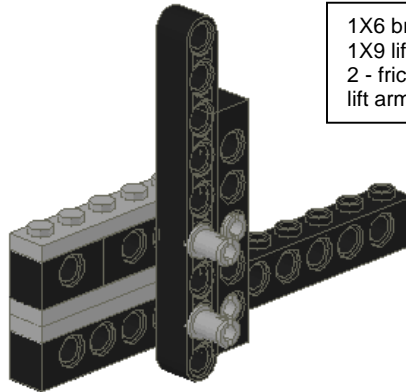
Lift Assembly Part 3

Refer to exploded view of this assembly on page 9 for more help.

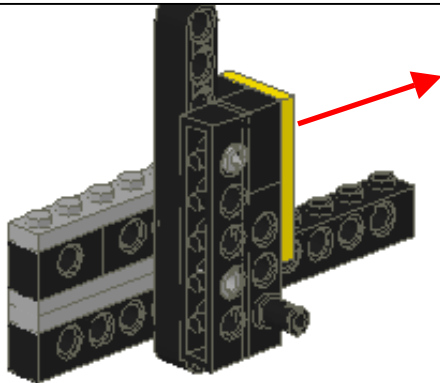
- 3 - 1X6 plate
- 1X2 brick with holes
- 1X12 brick with holes
- 2 - friction pins, grey



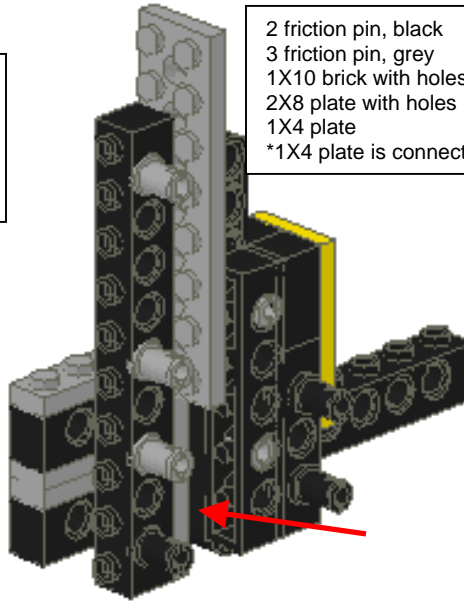
- 1X6 brick with holes
- 1X9 lift arm (floats to next step)
- 2 - friction pins, grey
- lift arm rest against assembly from step 1

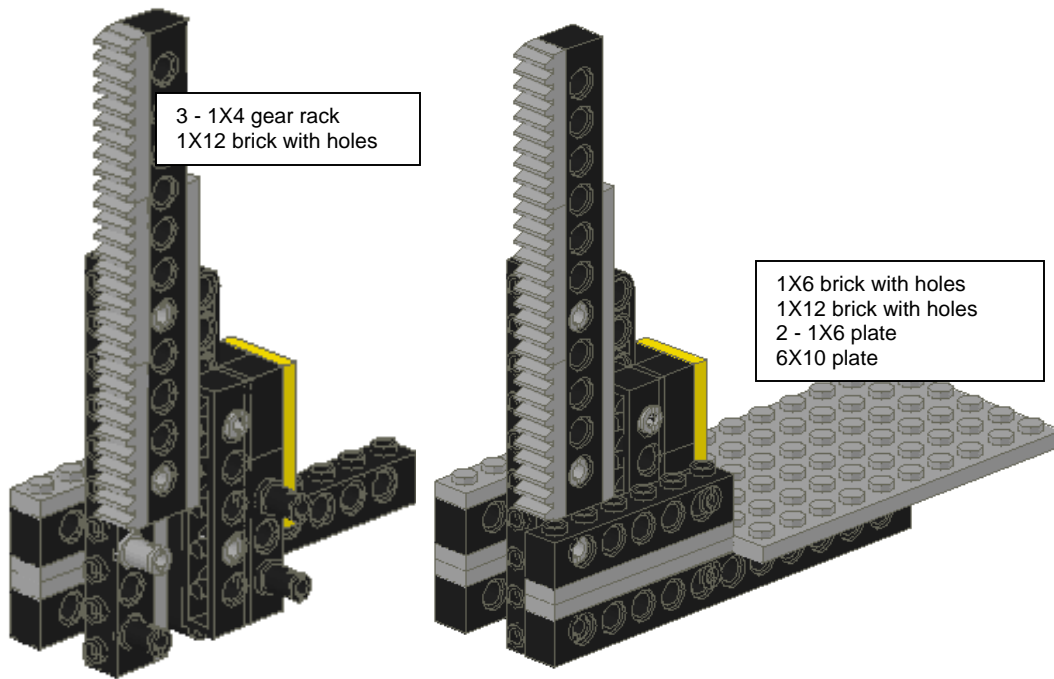


- 2X4 plate yellow
- 1X2 brick
- 1X4 brick with holes
- 1X6 brick with holes
- 1 friction pin, black
- *tabs on yellow plate face in direction of red

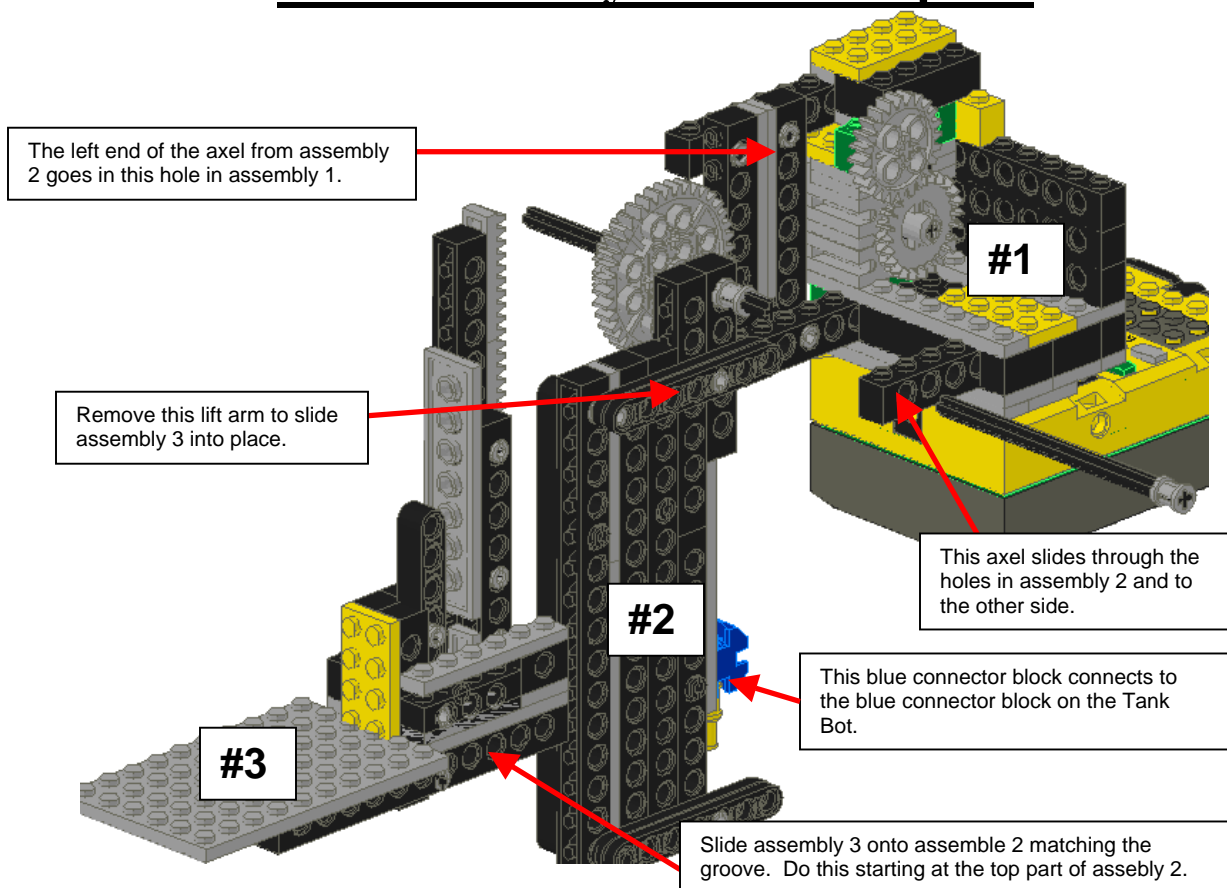


- 2 friction pin, black
- 3 friction pin, grey
- 1X10 brick with holes (floats to last step)
- 2X8 plate with holes
- 1X4 plate
- *1X4 plate is connect as indicated by red arrow

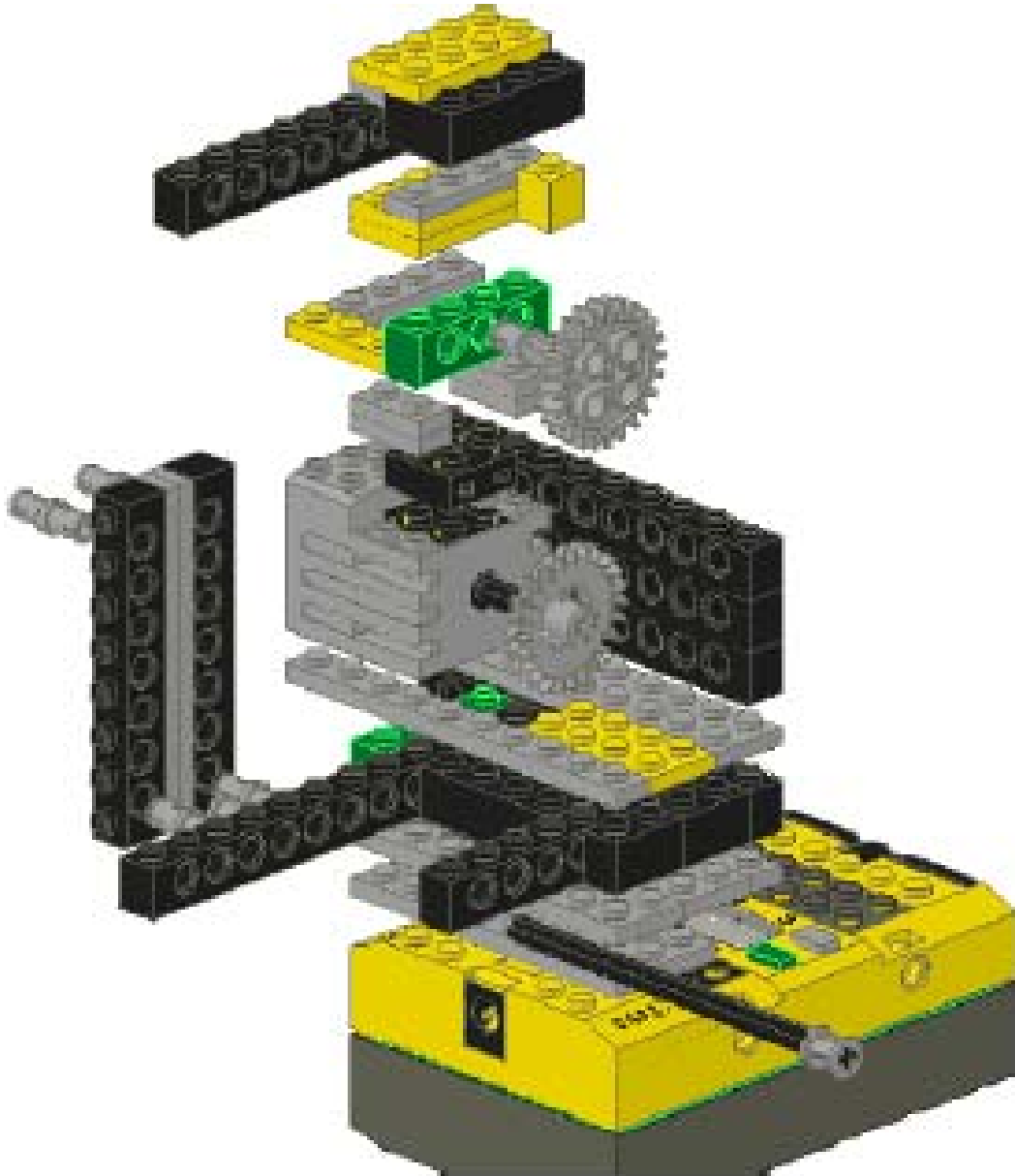




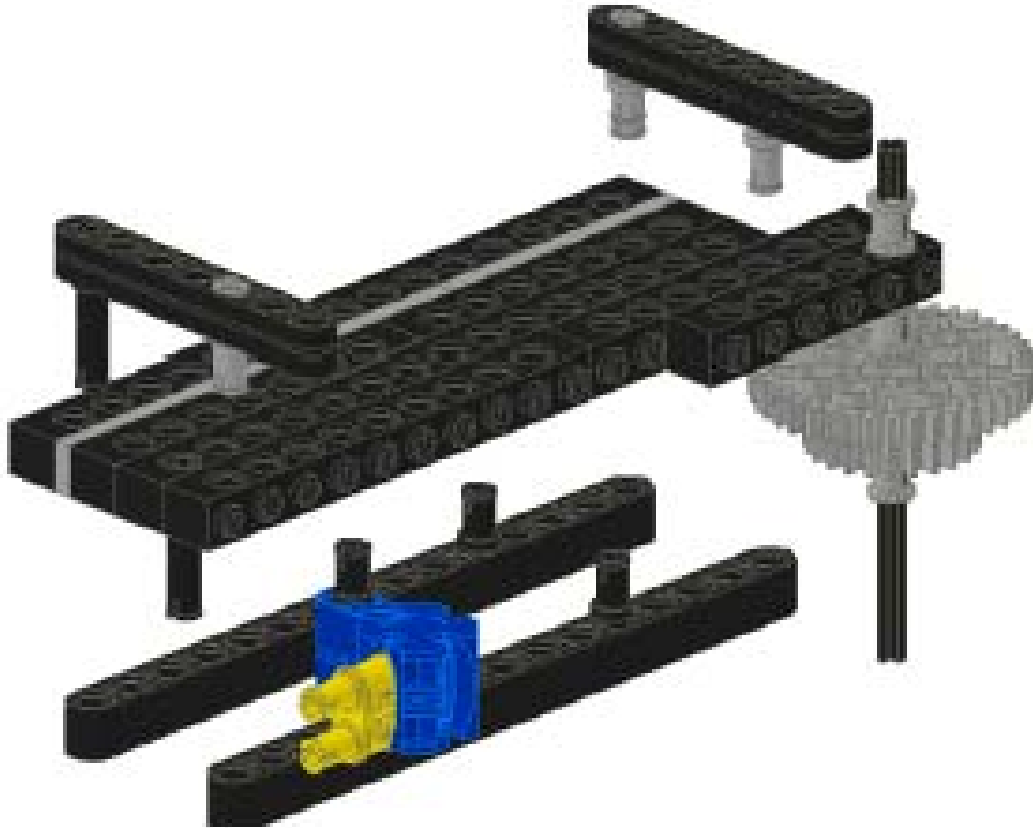
Final Assembly of the three parts



Assembly Part 1 - Exploded view



Assembly Part 2 - Exploded view



Assembly Part 3 - Exploded view

